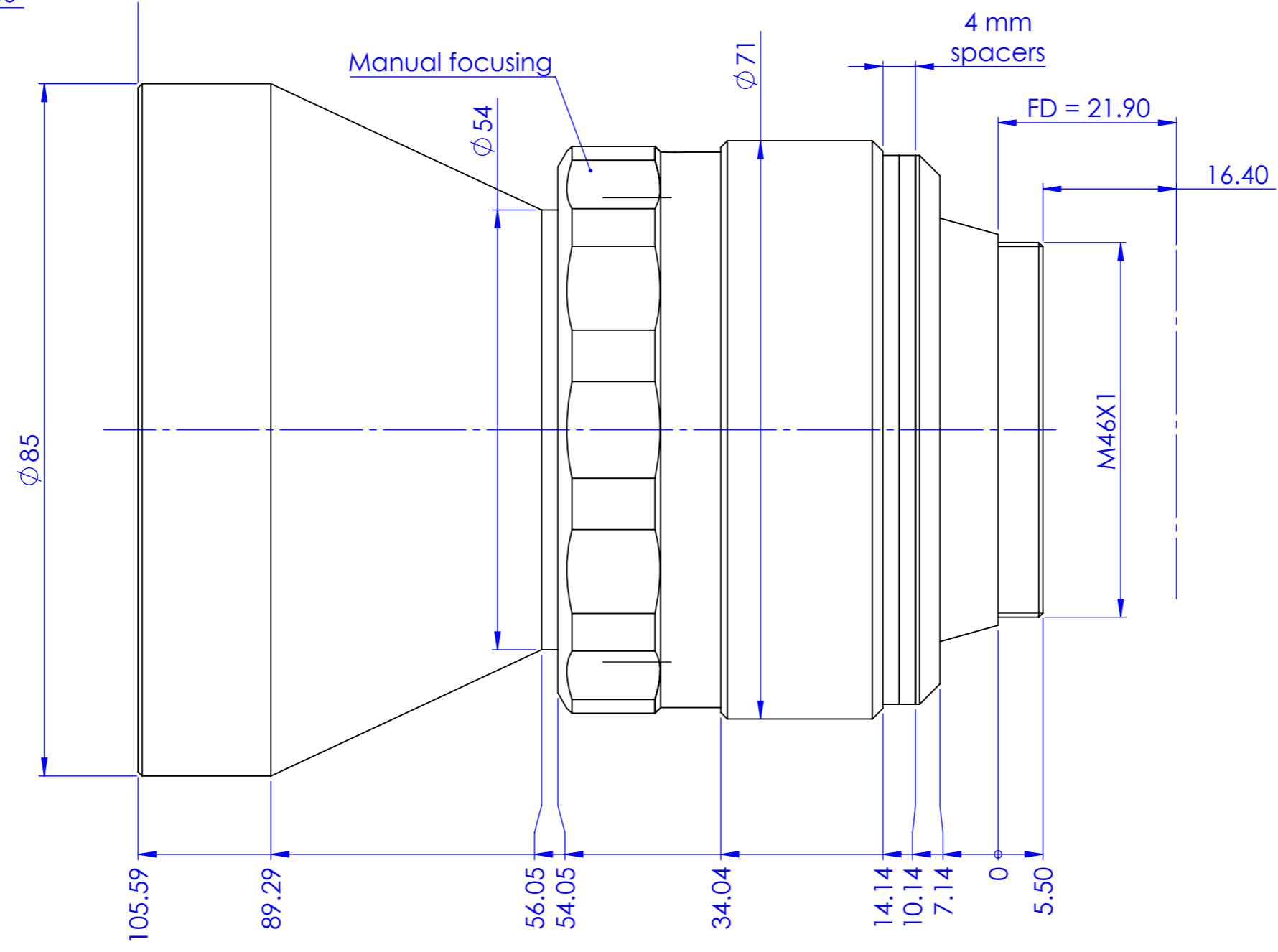


Minimum working distance 750mm

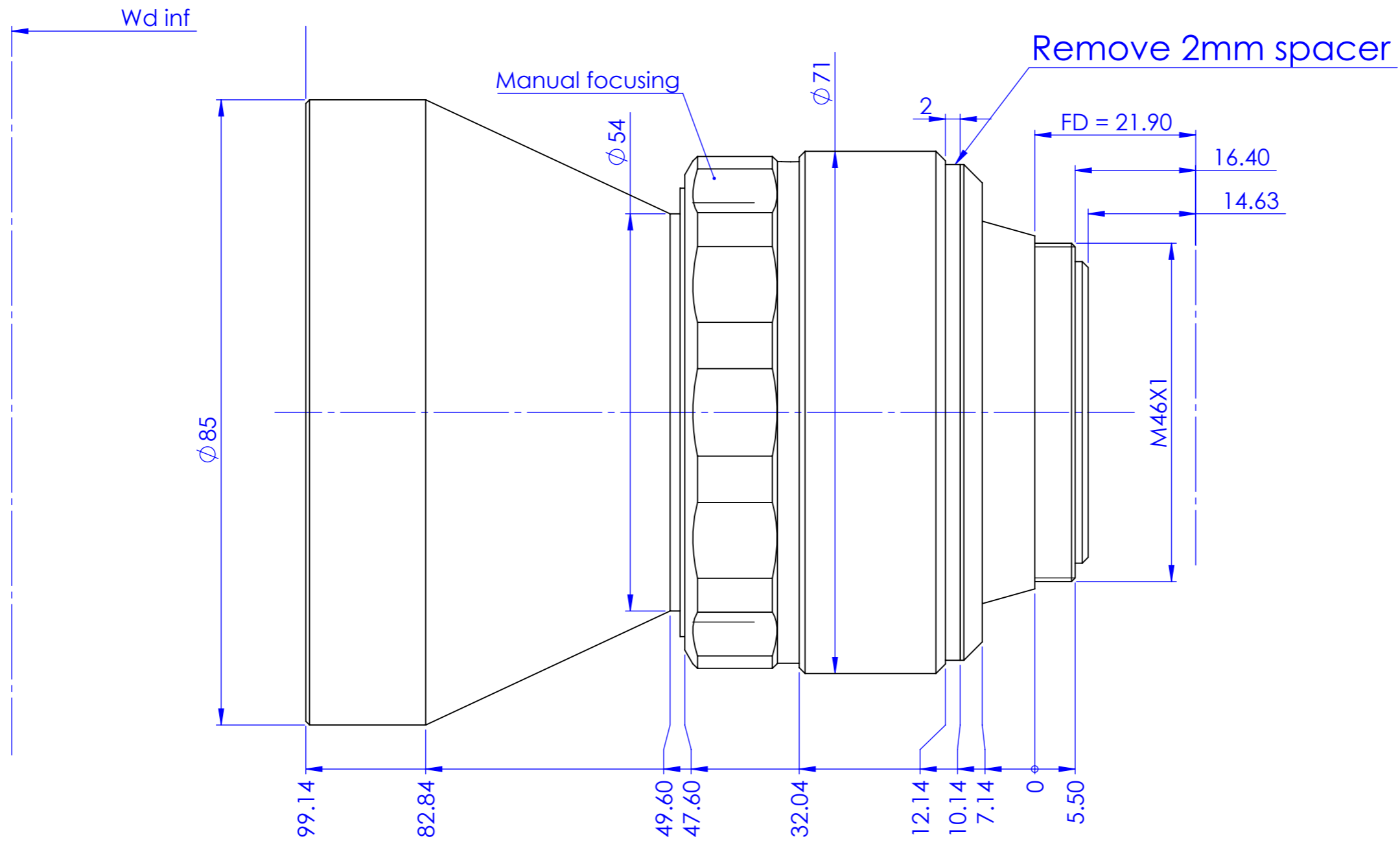
Wd 750



Rev.	Author	Description	Date	Approved by
B	Ccharly	Added information	17/01/2020	Rizzotto

Material	N.A.		Mass	g	Scale	1.5:1
Surface treatment	N.A.		Part No.	CO71294		
Geometrical tolerance (ISO 2768-2)	Class	K	Undimensioned bevels	0.5x45°		
Linear tolerance (ISO 2768-2)	Class	m	Undimensioned radii	R 0.5		
0.5 ±3	>3±6	>6±30	>30±120	>120 ±400	>400±1000	>1000 ±2000
±0.1	±0.1	±0.2	±0.3	±0.5	±0.8	±1.2
 OPTO ENGINEERING OPTO ENGINEERING S.r.l. - Mantova Italy - Tel. +39 0376 699111 - www.opto-engineering.com	Date	Name	Drawing No.	Sheet		
	Designed	29/10/2015	Rodella	DP 71294-B		
	Drawn	29/10/2015	Rodella			
Checked	17/01/2020	Ccharly				
Secret and confidential - All rights reserved - No copy, dissemination or circulation is allowed unless specifically authorized in writing by OPTO ENGINEERING S.r.l. - Any violation shall be legally prosecuted.						

Maximum working distance +inf



Material		N.A.		Surface treatment		N.A.		Mass		g		Scale		1.5:1	
Geometrical tolerance (ISO 2768-2)		Class		K		Undimensioned bevels		0.5x45°		Description		LW07514		Wd inf	
Linear tolerance (ISO 2768-2)		Class		m		Undimensioned radii		R 0.5		Part No.		CO71294		Drawing No.	
0.5		>3		>6		>30		>120		>400		>1000		>2000	
±3		±6		±30		±120		±400		±1000		±2000		±4000	
±0.1		±0.1		±0.2		±0.3		±0.5		±0.8		±1.2		±2	
Date		Name		Designed		29/10/2015		Rodella		Drawing No.		DP 71294-B		Sheet	
Date		Name		Drawn		29/10/2015		Rodella		Drawing No.		DP 71294-B		2/3	
Date		Name		Checked		17/01/2020		Ccharly		Drawing No.		DP 71294-B		2/3	
Date		Name		Checked		17/01/2020		Ccharly		Drawing No.		DP 71294-B		2/3	
Date		Name		Checked		17/01/2020		Ccharly		Drawing No.		DP 71294-B		2/3	

all dimensions are in mm



OPTO ENGINEERING S.r.l. - Mantova Italy - Tel. +39 0376 699111 - www.opto-engineering.com

Secret and confidential - All rights reserved - No copy, dissemination or circulation is allowed unless specifically authorized in writing by OPTO ENGINEERING S.r.l. - Any violation shall be legally prosecuted.

1

2

3

4

D

D

C

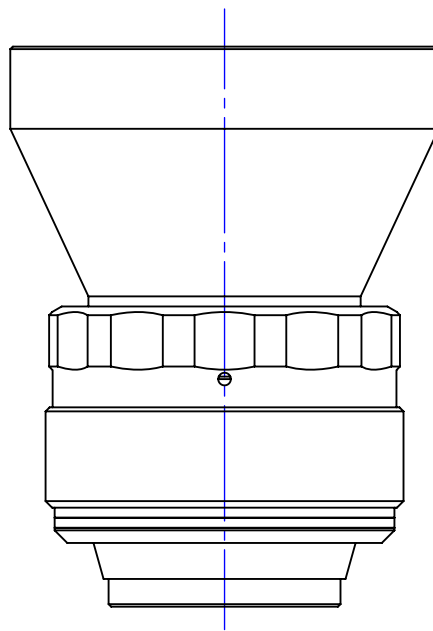
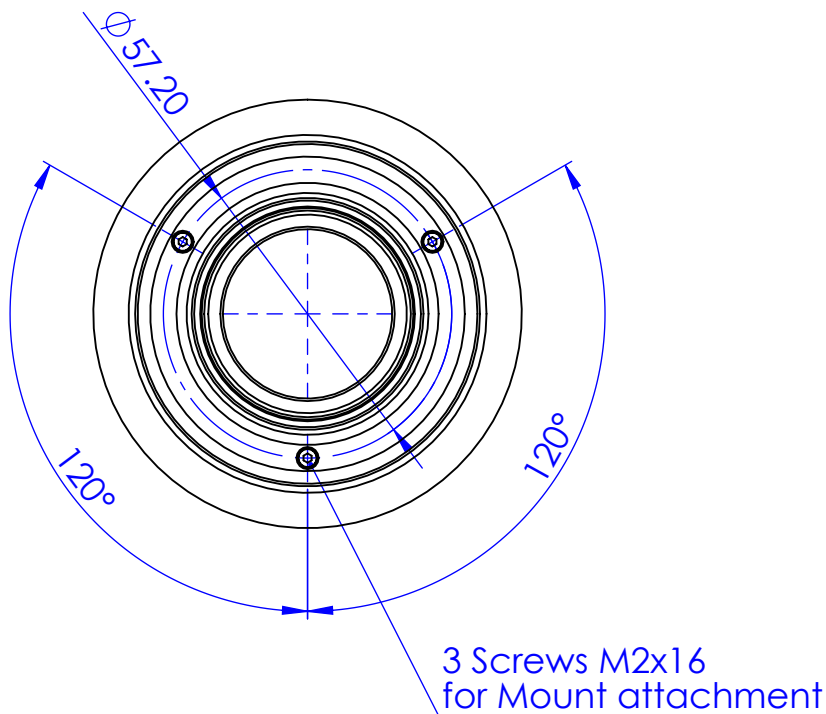
C

B

B

A

A



Material		N.A.				Mass	g	Scale	1:1.5
Surface treatment		N.A.				Part No.	CO71294		
Geometrical tolerance (ISO 2768-2)		Class		K		Undimensioned bevels		0.5x45°	
Linear tolerance (ISO 2768-2)		Class		m					
0.5	>3÷	>6÷	>30÷	>120	>400÷	>1000	>2000	Description	
±3	6	30	120	÷400	1000	±2000	±4000		
±0.1	±0.1	±0.2	±0.3	±0.5	±0.8	±1.2	±2	LW07514 Wd 750 mm	
				Date	Name		Drawing No.		Sheet
		Designed		29/10/2015	Rodella		DP 71294-B		3/3
		Drawn		29/10/2015	Rodella				
		Checked		17/01/2020	Ccharly				
<p><i>Secret and confidential - All rights reserved - No copy, dissemination or circulation is allowed unless specifically authorized in writing by OPTO ENGINEERING S.r.l. - Any violation shall be legally prosecuted.</i></p>									
<p>OPTO ENGINEERING S.r.l. - Mantova Italy - Tel. +39 0376 699111 - www.opto-engineering.com</p>									

1

2

3

4

all dimensions are in mm